



FlipFlop Recliner (F)  
in leather

## SIT AND RELAX IN THESE DUAL-POSITION RECLINERS

The FlipFlop is a dual-position chair that floats your body in horizontal equilibrium while offering complete posture support. The FlipFlop is carefully balanced to make it easy to move between the up and down positions simply by shifting your weight. FlipFlops include a lever to help you return to the forward position. LumBar support.



Gerhart (6'2") in  
Extra-high-back  
FlipFlop recliner

Top:  
Comfort posture (FX)

Left:  
Upright posture (FUX)

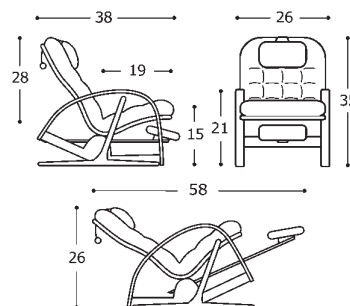


FlipFlop  
Recliner  
(F)

This is our classic FlipFlop. The "up" position is for casual sitting and watching TV, while "down" is for full body relaxation. People 5'10" or taller should select the Extra-High Back model (FX).

### SIZE & FIT OPTIONS

Back Height	High (28"), Extra-High (32")
Seat Depth	Standard (19") and Short (18")
Seat Height	Standard (15") only
Back Posture	Comfort (Std.) and Upright



Upright  
FlipFlop  
Recliner  
(FU)

The Upright FlipFlop has the same two positions, but with a steeper back. The "up" position is good for reading. The "down" position will soothe your body. Select the Extra-High Back model (FUX) if you are 5'10" or taller.

### PRICES (see p.12 for codes)

Price Code	①	②	③	④	⑤	⑥
F	\$699	749	859	959	1069	1199
FU						

Prices include headrest, footrest and one straight lever.  
For Cherry Wood, add \$75.  
For Extra-High Back, add \$50.  
For Extra-Wide (+4"), see below.

### EXTRA-WIDE SURCHARGES

Price Code	①	②	③	④	⑤	⑥
F WIDE	\$90	110	150	180	220	260